

A Guide to AS/NZS 1170.2:2002 – Wind Actions

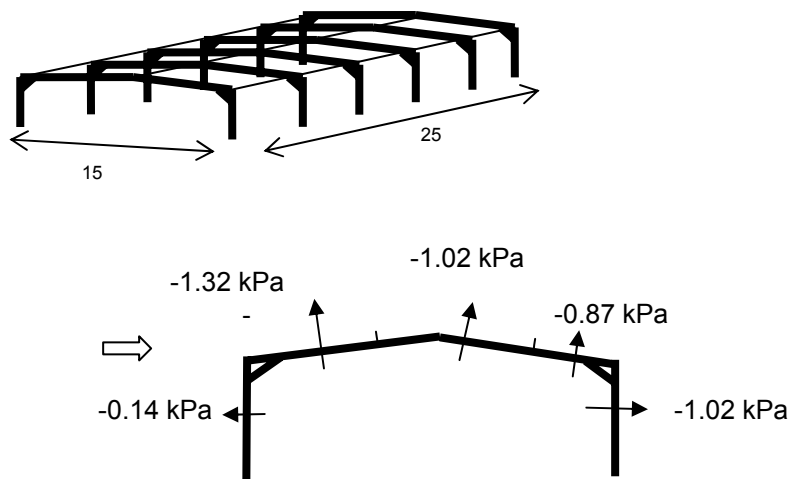
by John Holmes
and Andrew King

A user-friendly guide to the
Australia—New Zealand Standard
Publication date: June 2005



Warreen
Publishing

Price :
\$A 65.00 (incl GST)



The authors are long-time members of the Standards committees responsible for the AS/NZS Loading Standards, and John Holmes is also the author of a well-known text book on wind loading of structures

The Design Guide explains the usage of all parts of the Australian / New Zealand Standard on Wind Actions, including the differences between it and AS 1170.2-1989 and NZS4203:1992. Many worked examples are given including low- and high-rise buildings, a communications tower, a chimney stack and a hoarding. Answers to frequently asked questions are given.

Features :

- Differences from AS 1170.2-1989 explained
- Fully worked examples
- Frequently-asked questions

To order a copy please send in this form with cheque payable to 'Warreen Publishing':

Contact : Warreen Publishing

P.O. Box 269
Mentone
Victoria
3194

Phone: 03-9584-5885
Fax: 03-9585-3815
E-mail: jdholmes@bigpond.net.au

Name	_____	_____
Address	_____	_____
	_____	_____
	_____	_____
Phone	_____	E-mail _____